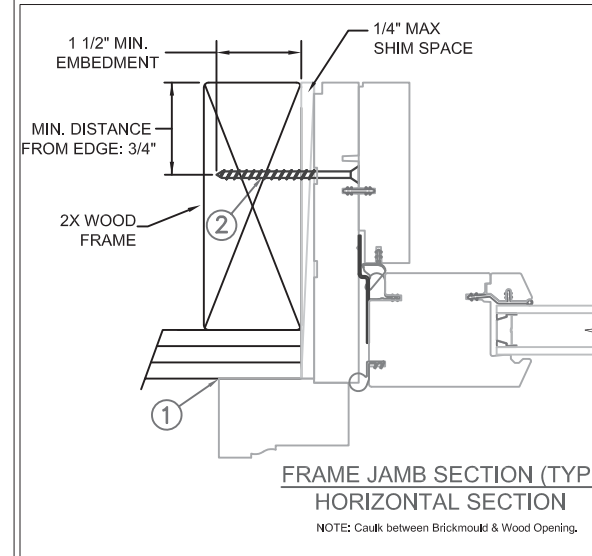
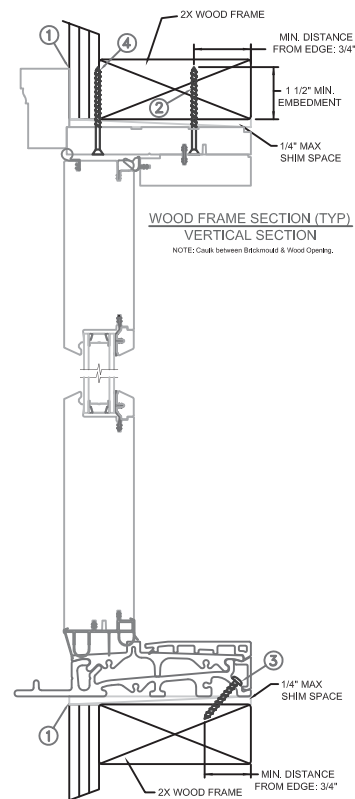
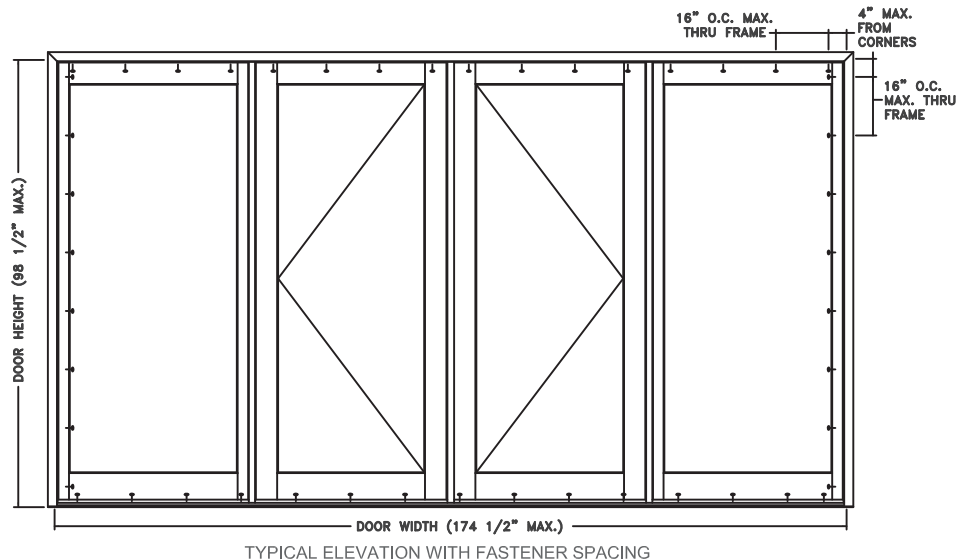


THRU FRAME INSTALLATION



Max Frame	DP Rating	Impact
174 1/2" x 98 1/2"	+/-35	NO

Installed Fastener Schedule:

1. Seal flange/frame to substrate.
2. All doors: install corrosion resistant #8 fasteners no more than 4" from each corner and 16" o.c. through the nail fins on all sides of the door. Fasteners must be long enough to penetrate at least 1" into framing members.
3. Install corrosion resistant # 8 X 1 1/2" pan head fasteners in the sill 5" max. from the corners and 12" o.c. into subfloor.
4. Install corrosion resistant 2-#8 X 2" screws through each strike plate into rough opening.

General Notes:

1. The product shown herein is designed, tested and manufactured to comply with the wind load criteria of the adopted International Building Code (IBC), the International Residential Code (IRC), the Florida Building Code (FBC) and the industry standard requirement for the stated conditions.
2. Buck, framing and masonry by others and is responsibility of architect or engineer of record.
3. All glazing shall conform to ASTM E1300.
4. At minimum, glazing shall be tempered glass.
5. Maximum sizes are buck sizes and do not include fin or flange.

This schedule addresses only the fasteners required to anchor the window to achieve the rated design pressure up to the size limitations noted. It is not intended as a guide to the installation process and does not address the sealing consideration that may arise in different wall conditions. For the complete installation procedure, see the instructions packaged with the door or go to www.jeld-wen.com/resources/installation.

DISCLAIMER:

This drawing and its contents are confidential and are not to be reproduced or copied in whole or in part or used or disclosed to others except as authorized by JELD-WEN Inc.

PROJECT ENGINEER: --	DATE: 01/25/2015	JELD WEN	3737 Lakeport Blvd Klamath Falls, OR. 97601 Phone: (541) 882-3451		
DRAWN BY: D. Vezo	SCALE: NTS		Sitrine Wood OutSwing Quad Patio Door		
CHECKED BY: C. Graetsch	TITLE:				
APPROVED BY: D. Stokes					
PART/PROJECT No.:					
D011660					
IDENTIFIER No. sjw2014-096	PLANT NAME AND LOCATION: Hawkins, WI	CAD DWG. No.:	REV:	SHEET	